

## Key Feature

- Embedded Linux system
- 2MP HD camera
- 4.3-inch LCD Screen
- Strong appearance



## Specification

### System parameters

Operation system	Linux
Flash	16MB
RAM	64MB

### Display parameters

Size	4.3-inch
Operation Method	Mechanical Key
Resolution	480 * 272 pixels

### Video parameters

Video Encoding	H.264
Video Pixels	VGA,720P
Camera	2.0 million pixels
Angle of View	60°(H) / 40°(V)
Light Compensation	White light

### Audio parameters

Audio Encoding	G.711
Speaker	Built-in loudspeaker
Microphone	-56 ± 2dB

### Capacity

Card Capacity	30K
Number of Contacts	-
Face Capacity	-

### Network parameters

Wifi	-
Protocol	TCP / IP, RTSP, UDP, HTTP, DNS

### Device interfaces

Net Port	1(RJ45)
RS485	1
Relay Output	1
Lock Release Port	1
Door Magnetism Port	1
Fire Alarm Input Port	1

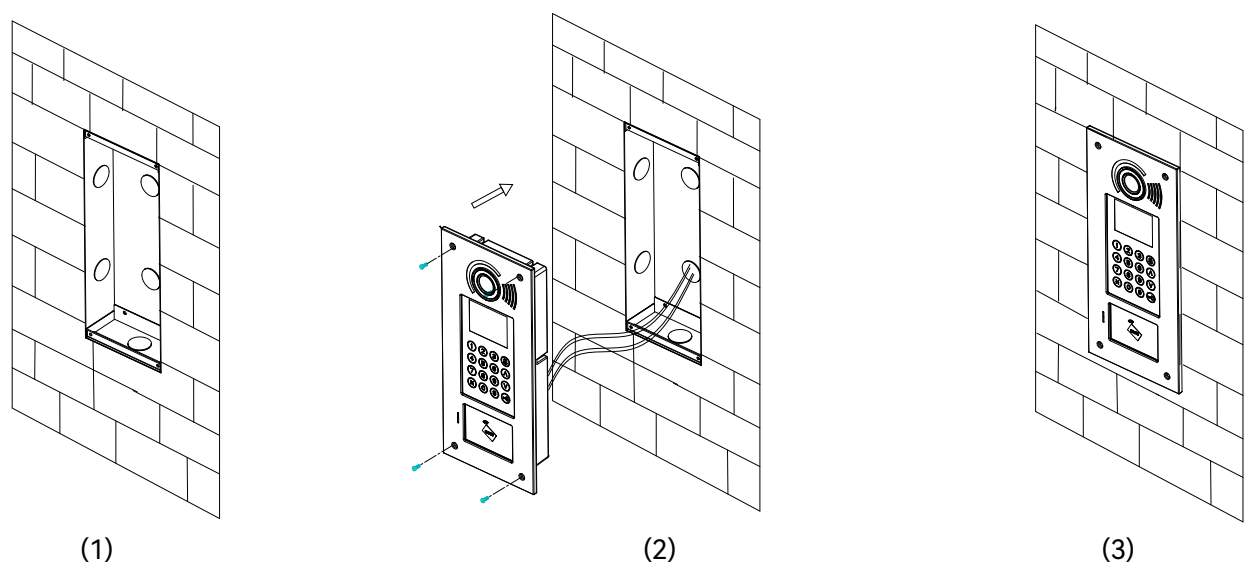
### General

Installation	Embedded mounting
Color	Gray
Dimensions	386×170×54mm
Working Temperature	-30°C ~ +60°C
Storage Temperature	-40°C ~ +70°C
IP/IK Level	IP54 / IK07
Standby Power Consumption	5W
Max Power Consumption	9W
Power	12-24V DC
Weight	With package: 2.79kg Without package: 1.515kg

## Ordering Information

Model	Description
EH-OS-M10-EN4	Mechanical key, Embedded mounting, 4.3-inch LCD screen, Gray

## Installation



- Trepanning a hole(larger than the embedded box size and no more than the equipment size).
- Insert the embedded box in the hole, and fix it with the cement slurry.
- Connect wires, fix the outdoor station on the pre-embedded box and locked it with screws, Then install finished.

## Application

- Apartment